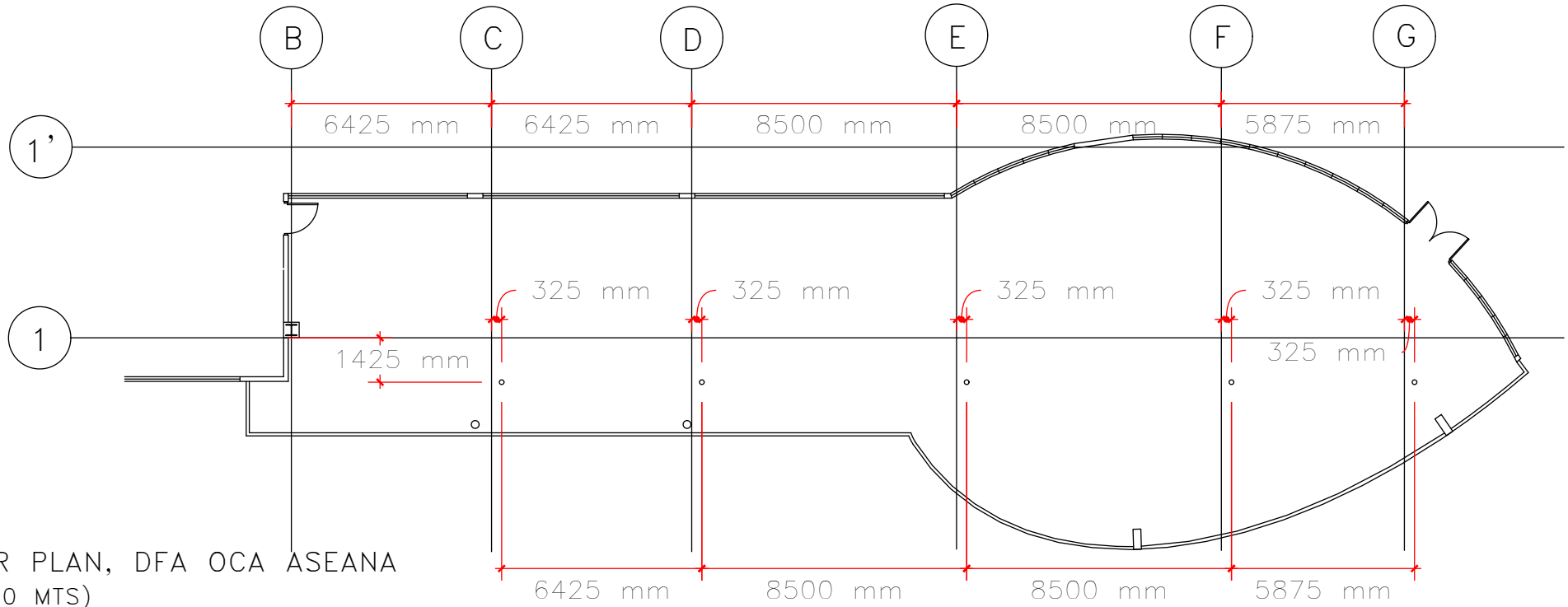
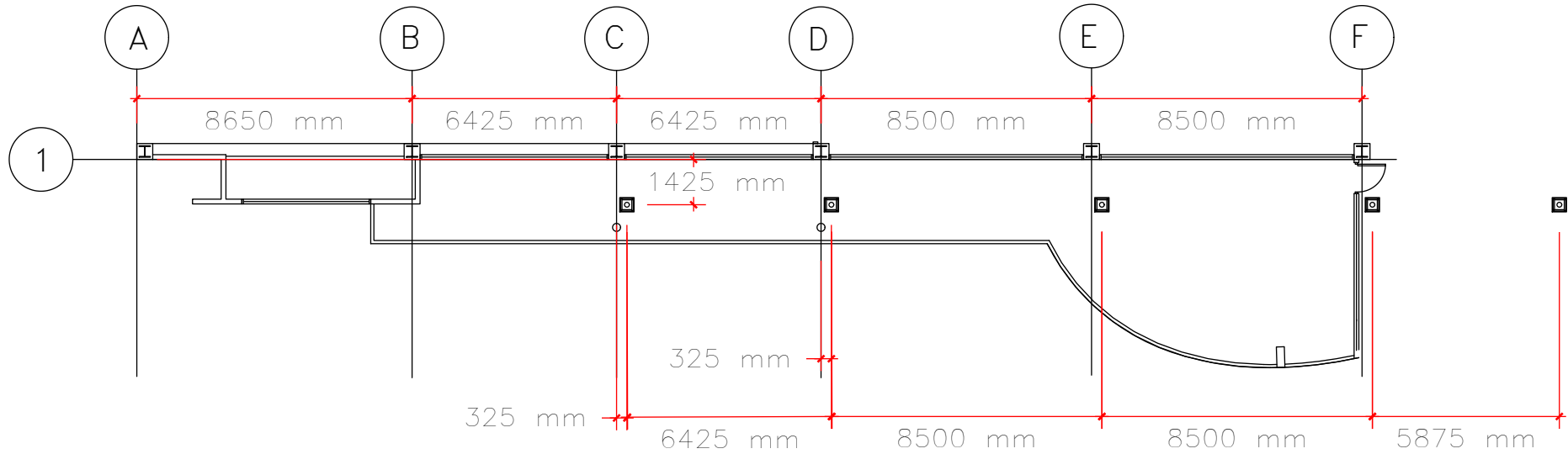


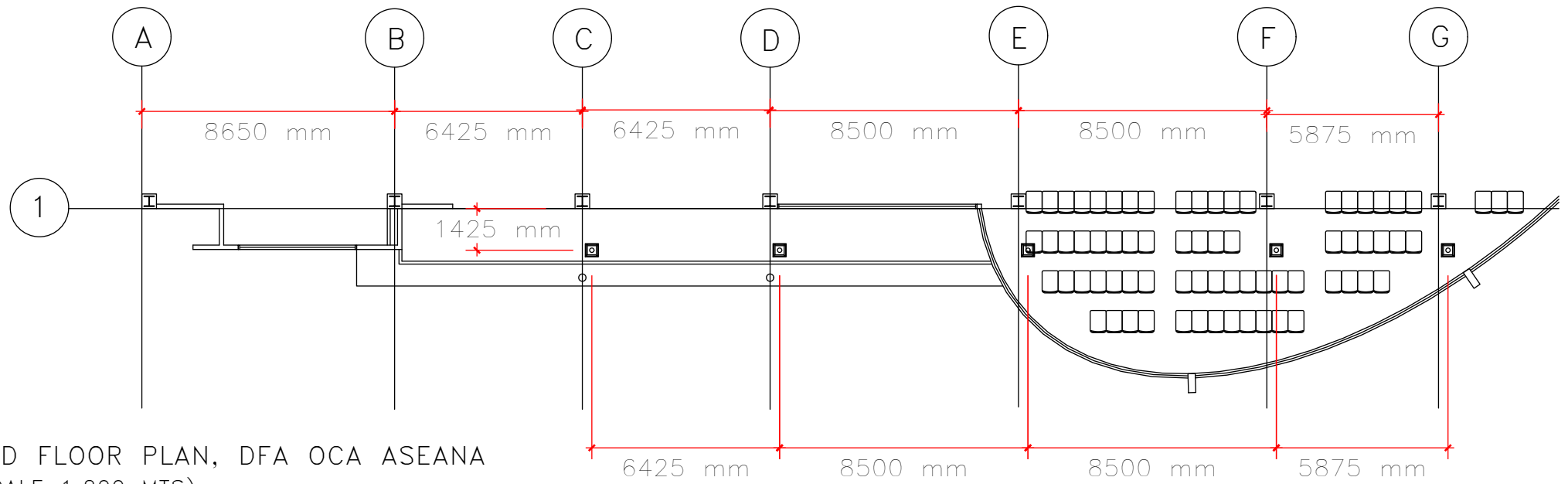
PROPOSED NEW STORM DRAINAGE AND FALSE COLUMN
DFA OCA ASEANA BUILDING



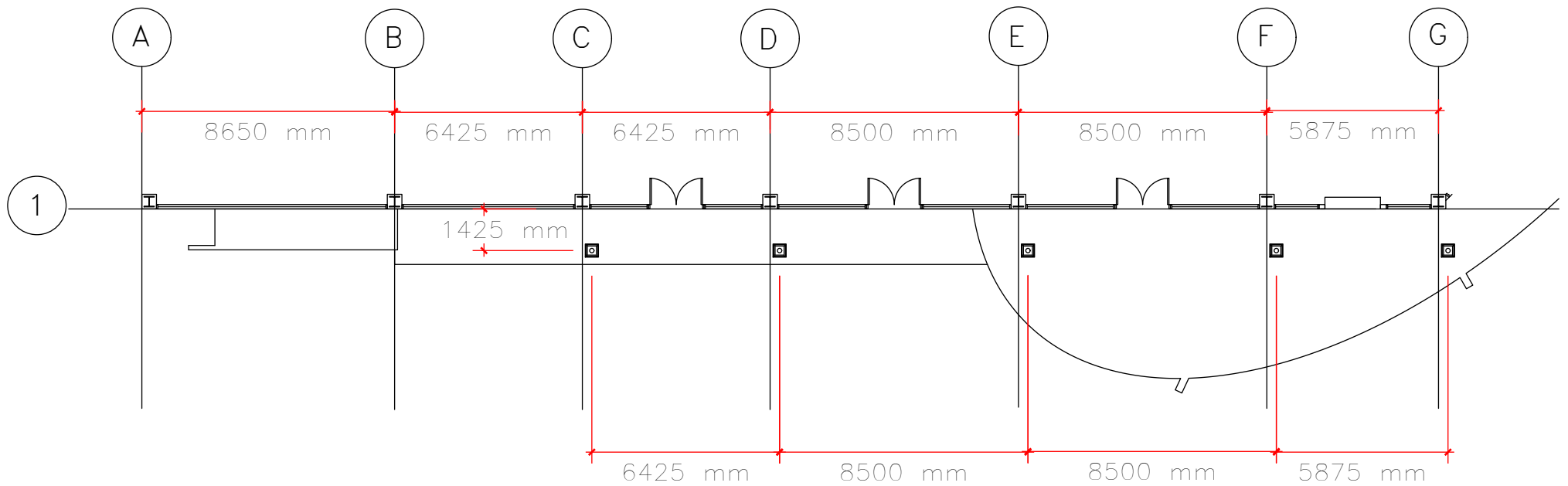
4TH FLOOR PLAN, DFA OCA ASEANA
(SCALE 1:200 MTS)



3RD FLOOR PLAN, DFA OCA ASEANA
(SCALE 1:200 MTS)



2ND FLOOR PLAN, DFA OCA ASEANA
(SCALE 1:200 MTS)



1ST FLOOR PLAN, DFA OCA ASEANA
(SCALE 1:200 MTS)